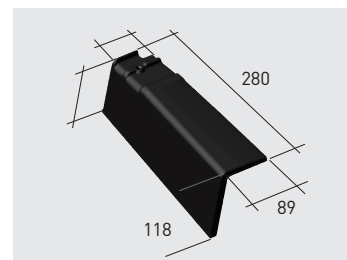


Q101*K Data Sheet

Manufacturer: Cerámica La Escandella S.A.
Production site: Agost (Alicante) - Spain
Brand name: Left side finish Visum3 klinker **Q101*K**

Dimensions*
A 280 mm / 11 "
B_{max} 118 mm / 4.6 "
B_{min} 98 mm / 3.9 "
C_{max} 89 mm / 3.5 "
C_{min} 73 mm / 2.9 "



Pieces per ml 5,3
Weight unit 1,35 kg / 3 lbs
Units per pallet 110

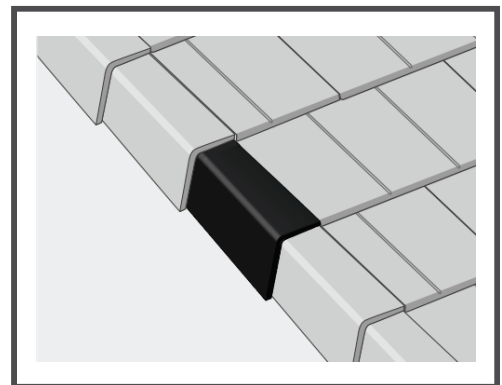
*The tile dimensions indicated in this chart allow a tolerance of approximately +/-2%

Structural characteristics:	UNE EN 1304	≤ 2,5
Impermeability (cm ³ / cm ² *day):	UNE EN 539-1	Mean value ≤ 0,5 ; Individual value ≤ 0,6
Froast resistance:	UNE EN 539-2	≥ 150
Fire reaction performance:	UNE EN 13501-1	A1
External fire performance:	UNE EN 13501-5	B _{roof}

Additional information

Surface finishes: Surface decoration with colored slips

Pre-hole: To avoid breakage of the special pieces, it is necessary to drill the pre-hole with a screw (ø max. 3.5 mm), before nailing or drilling the piece directly.



Resistencia a la helada



Impermeabilidad



Resistencia a la flexión



Características geométricas



Conforme a la norma europea

