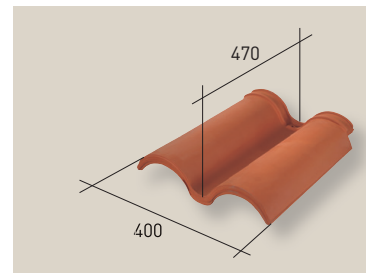


# Q33 Data Sheet

Manufacturer: Cerámica La Escandella S.A.  
Production site: Agost (Alicante) - Spain  
Brand name: Double large mixed tile **Q33**

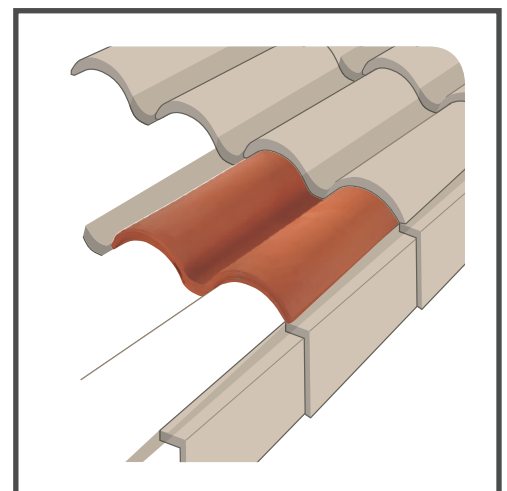
Dimensions\*  
**A** 470 mm / 18.5 "  
**B** 400 mm / 15.7 "



Pieces per ml 2,5  
Weight per unit 5,9 kg / 13 lbs  
Units per pallet 50

\*The tile dimensions indicated in this chart allow a tolerance of approximately +/-2%

Structural characteristics:	UNE EN 1304	≤ 2,5
Impermeability (cm <sup>3</sup> / cm <sup>2</sup> *day):	UNE EN 539-1	Mean value ≤ 0,5 ; Individual value ≤ 0,6
Froast resistance:	UNE EN 539-2	≥ 150
Fire reaction performance:	UNE EN 13501-1	A1
External fire performance:	UNE EN 13501-5	B <sub>roof</sub>



## Additional information

Superficial finishes: Surface decoration with colored

Pre-hole: To avoid breakage of special parts is necessary to drill necessary to drill the pre-hole with a screw punch (ø max. 4mm), before nailing or drill the piece directly.



Resistencia a la helada



Impermeabilidad



Resistencia a la flexión



Características geométricas



Conforme a la norma europea

